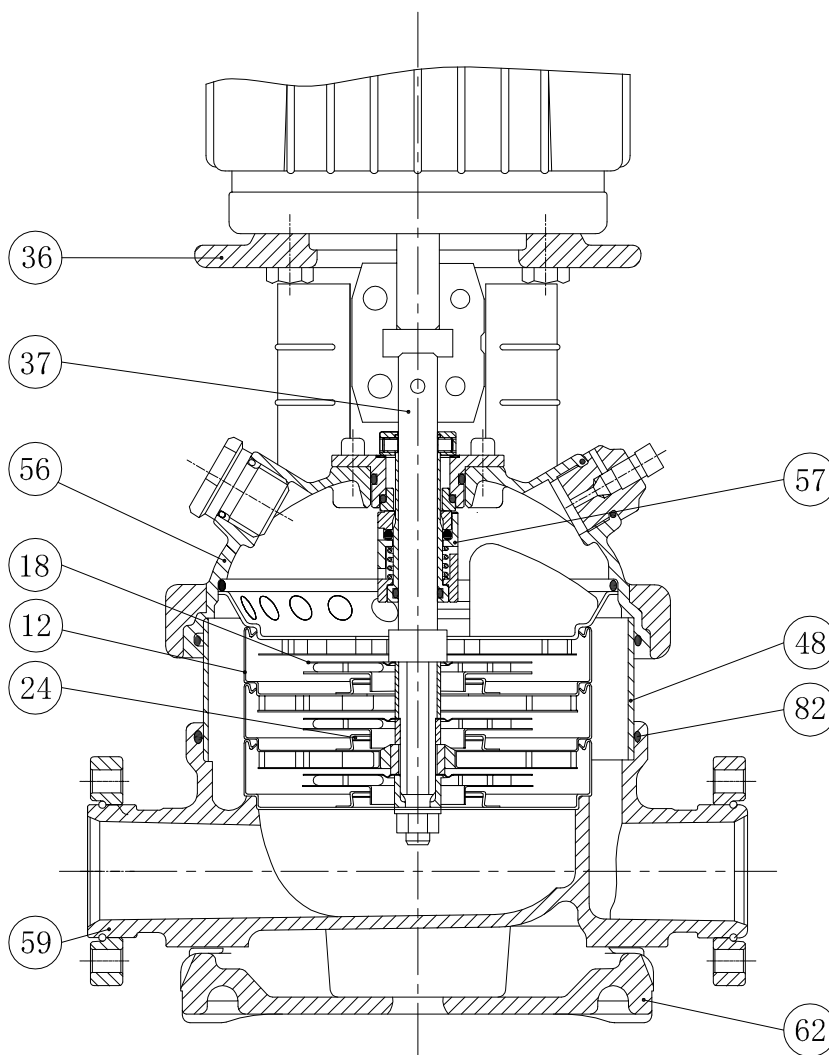


VERTICAL MULTISTAGE IN-LINE PUMP SECTIONAL DRAWING

TYPE : ASVM(N)25L · 25 · 32 · 40 · 50 · 50B



Pos.	NAME	MATERIAL	ASVM25L · 25 · 32 · 40 · 50 · 50B			ASVMN25L · 25 · 32 · 40 · 50 · 50B		
			STANDARD			STANDARD		
			EUROPE	USA	JIS	EUROPE	USA	JIS
36	PUMP HEAD	CAST IRON	EN-GJS-450-10	ASTM 65-45-12	FCD450	EN-GJS-450-10	ASTM 65-45-12	FCD450
56	PUMP HEAD COVER	STAINLESS STEEL	1.4301	AISI 304	SCS13	1.4401	AISI 316	SCS14
18	IMPELLER	STAINLESS STEEL	1.4301	AISI 304	SUS304	1.4401	AISI 316	SUS316
37	SHAFT	STAINLESS STEEL	1.4057	AISI 431	SUS431	1.4401	AISI 316	SUS316
48	OUTER SLEEVE	STAINLESS STEEL	1.4301	AISI 304	SUS304	1.4401	AISI 316	SUS316
82	O RING FOR OUTER SLEEVE		EPDM					
12	CHAMBER	STAINLESS STEEL	1.4301	AISI 304	SUS304	1.4401	AISI 316	SUS316
24	NECK RING		PTFE					
59	BASE	STAINLESS STEEL	1.4301	AISI 304	SCS13	1.4401	AISI 316	SCS14
62	BASE PLATE	CAST IRON	EN-GJL-200	ASTM A48 No.30	FC200	EN-GJL-200	ASTM A48 No.30	FC200
57	MECHANICAL SEAL		SiC/SiC+Viton					

MODEL		QUANTITY	
-------	--	----------	--